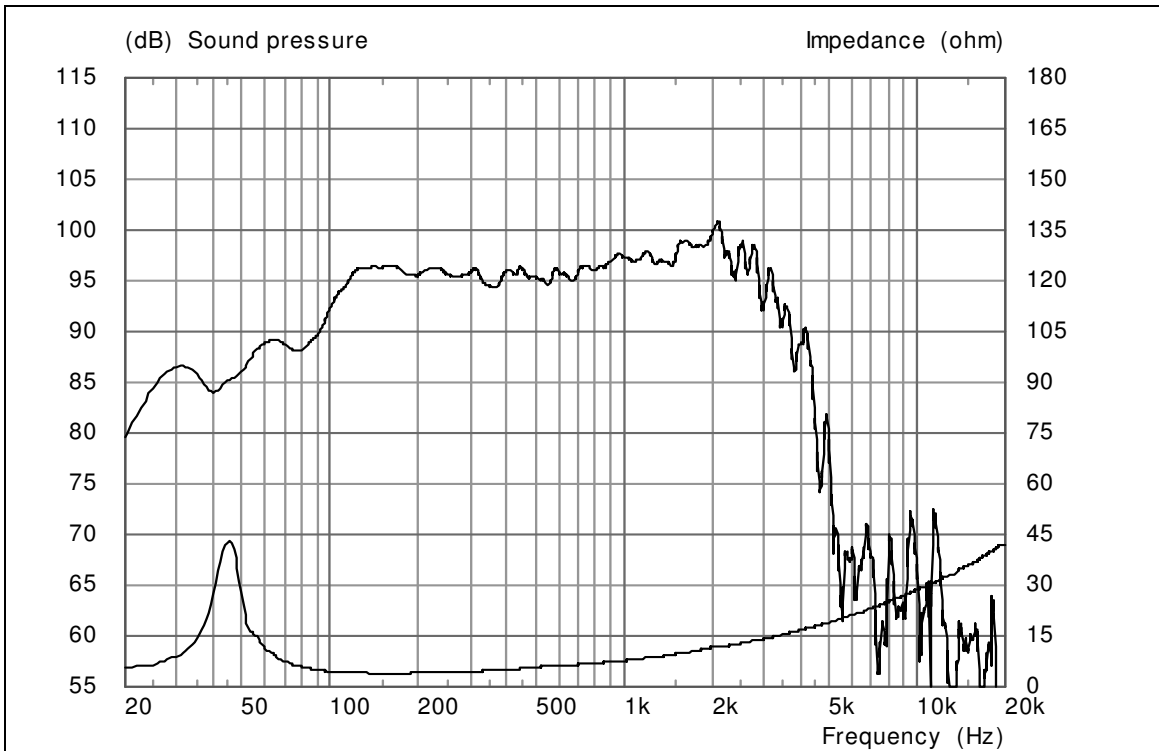




## PRODUCT SPECIFICATION SHEET

MODEL NO : T5368A		DESCRIPTION : TF1525e 4ohm	
N°	ITEM	SPECIFICATION	TEST CONDITION
1	NOMINAL IMPEDANCE	4 ohm	
2	MINIMUM IMPEDANCE	4.0 ± 0.3 ohm	at 200 Hz
3	RESONANCE FREQ (fo)	45Hz	Measured at 1V
4	NOMINAL SENSITIVITY (SPL)	96.5dB	1W / 1m on axis
5	EFFECTIVE FREQ BAND	45Hz to 4.5kHz	
6	POWER HANDLING	300W	AES
7	MAGNET TYPE / WEIGHT	Ferrite/50oz	
8	FLUX DENSITY	1.1T	
9	GAP HEIGHT	8mm	
10	WINDING HEIGHT	15mm	
11	LINEAR DISPLACEMENT (Xmax)	3.5mm	(winding height-gap height)/2
12	SMALL SIGNAL PARAMETERS	Typical value	
	Re	3.28	Ohm
	Mms	81.19	g
	Cms	0.14	mm/N
	Bl	12.58	N/A
	Qms	9.18	/
	Qes	0.49	/
	Qts	0.47	/
	Vas	57.33	l
	Sd	530.93	cm <sup>2</sup>
13	POLARITY	When a positive D.C. current is applied to the positive terminal (marked red dot or ⊕) the diaphragm shall move away from the magnet assy.	
REMARKS			
Rev.	Details	Date 26/06/13	Approved: P. Cork
1	Issued		

## FREQUENCY RESPONSE CURVES



Test condition:

Hemi Anechoic Chamber, 1W/1m

Measured using Klippel measurement system.

Approved tolerances for production against production line standard unit:

<1500Hz  $\pm$  1dB

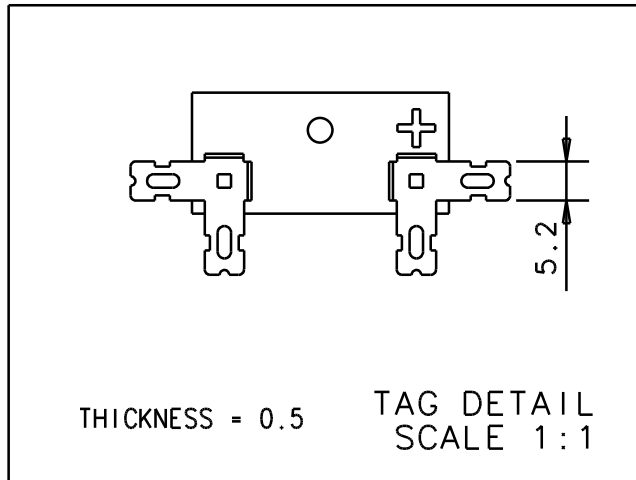
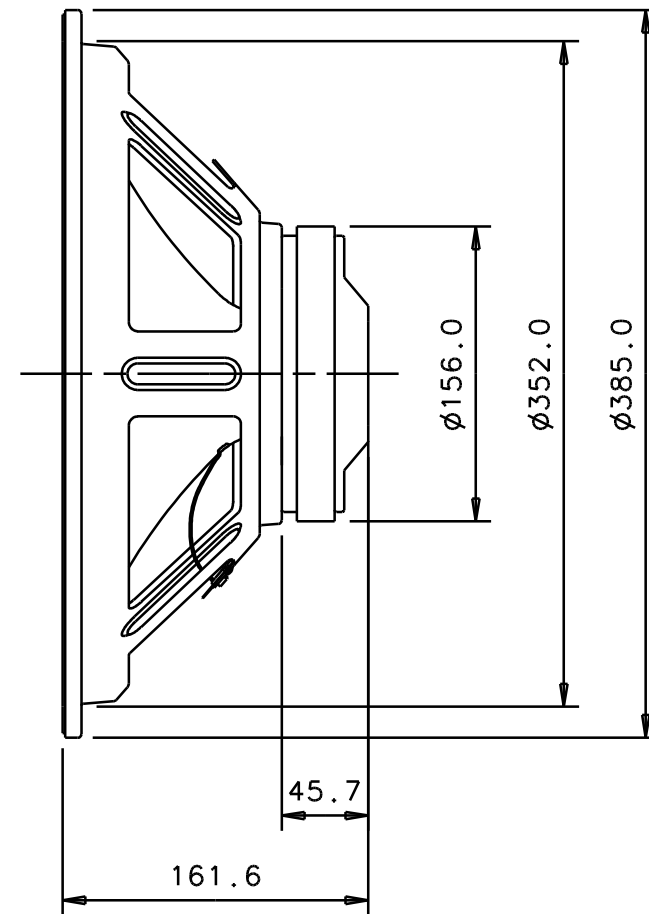
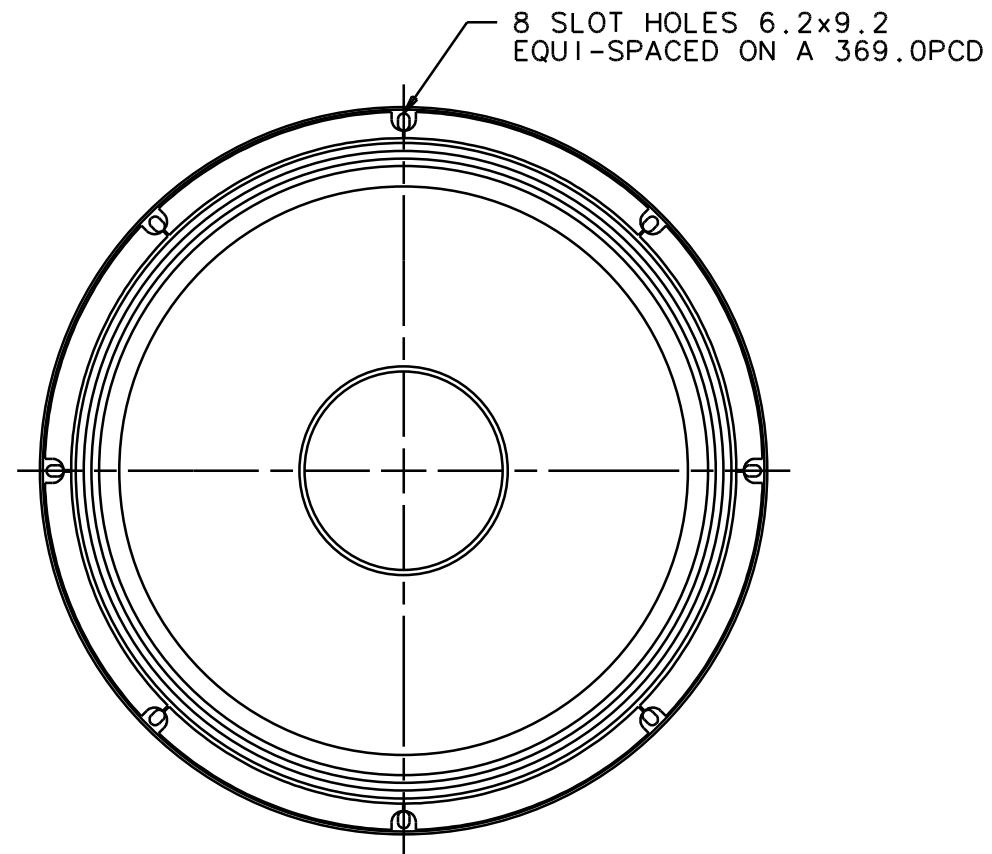
1500Hz-4000Hz  $\pm$  1.5dB

**RELIABILITY TEST**

<b>TEST ITEM</b>	<b>TEST CONDITION</b>	<b>Determination on Test Result</b>
SWEEP TEST	Sine wave 5V, 20Hz-20kHz Auto sweep time : 2.5 sec. Manual sweep (20Hz - 20kHz)	Sound to be free of audible rub and buzz
LONGEVITY TEST	300W AES STD PINK NOISE WITH NOISE BAND LIMITED TO 60Hz - 600Hz 2 HOURS	Sweep Test. Appearance check. Measured Fo and SPL 1 hour after the end of the test.
POWER TEST	INT2012 AT 300W AES STD BAND LIMITED TO 60Hz-600Hz 2 HOURS	Sweep Test. Appearance check. Measured Fo and SPL 1 hour after the end of the test.
HIGH TEMP STORE TEST	70°C, 24 Hrs INT2035	Sweep Test. Appearance check. Measured Fo and SPL 1 hour after the end of the test.
LOW TEMP STORE TEST	-20 °C, 24 Hrs INT2035	Sweep Test. Appearance check. Measured Fo and SPL 1 hour after the end of the test.
HUMIDITY TEST	40°C 95% Humidity, 24 Hrs	Sweep Test. Appearance check. Measured Fo and SPL 1 hour after the end of the test.

**REMARKS:**

Longevity test is after Power test.

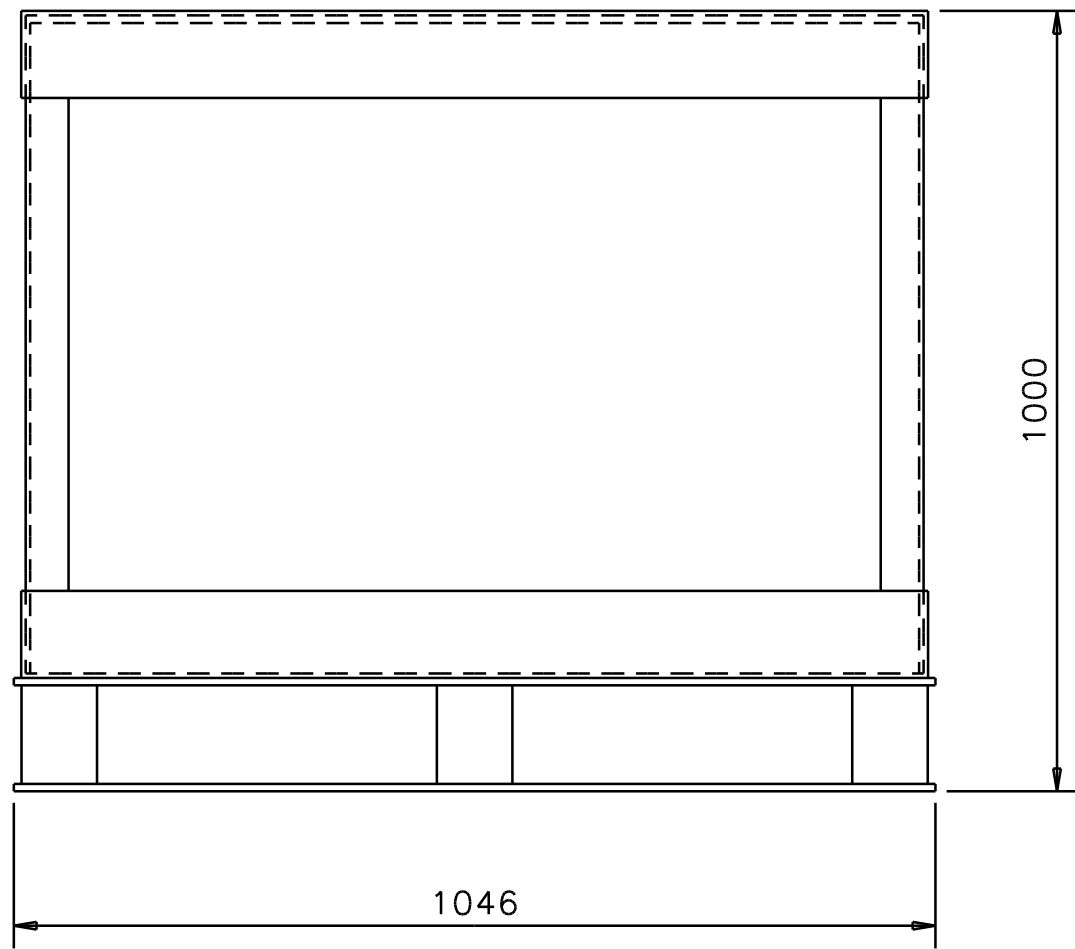
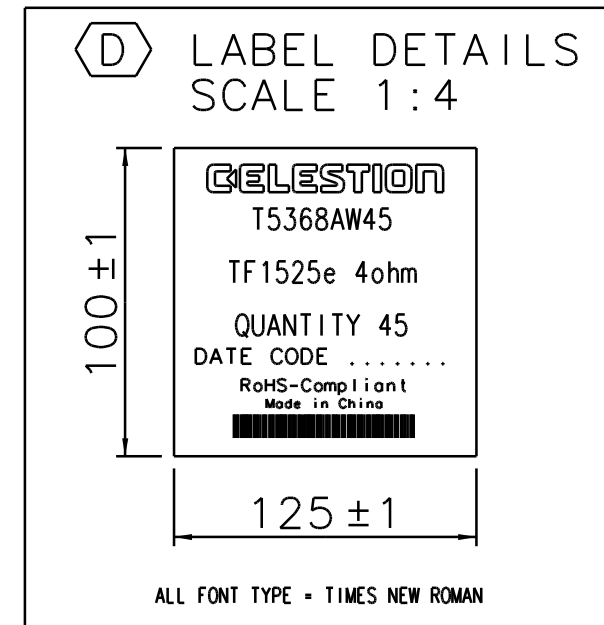
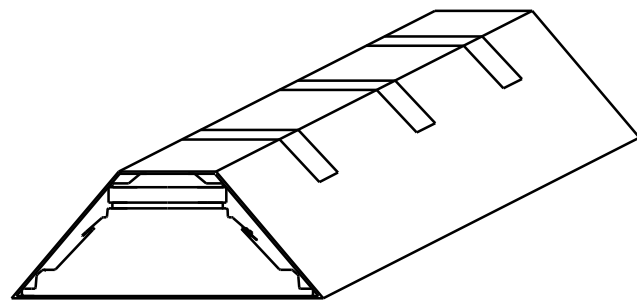


UNIT WEIGHT : 4.8kg

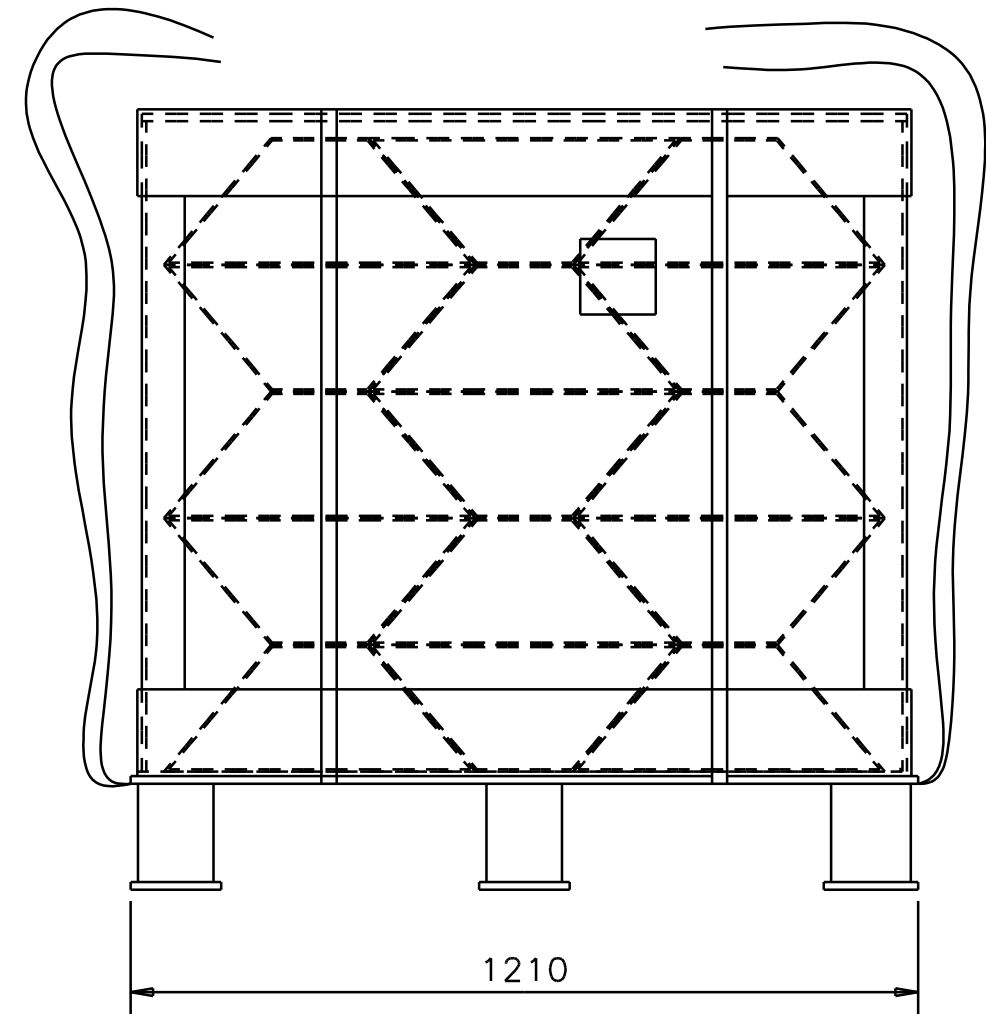
SCALE  
1:2 AT A3

DRAWN TO BS8888

SHEET  
4 OF 5



OVERALL PACK WEIGHT : 248kg



SCALE NTS AT A3	 DRAWN TO BS8888	SHEET 5 OF 5
--------------------	---------------------	-----------------